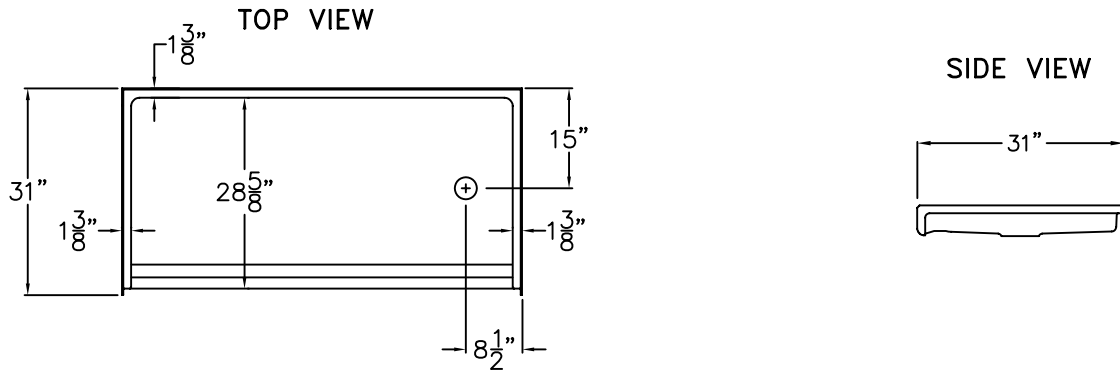


SUBMITTAL DATA



Barrier Free Shower Pan

The shower enclosure shall be AB-6031 BF with Left-Right Drain. Finished surface shall be of a sanitary-grade Polyester Gelcoat exhibiting a minimal thickness of 15 dry mils,

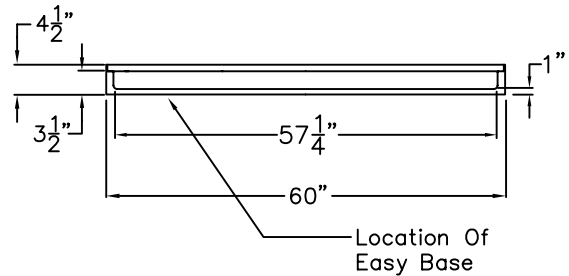
ASTM D-2583. Unit construction shall be of molded reinforced fiberglass with a minimum fiberglass content. The unit shall have outside dimensions of 60" x 31" x 4 1/2". The gelcoat shall meet the requirements of Southern Building Code.

The enclosure shall be equipped with the following installed accessories:

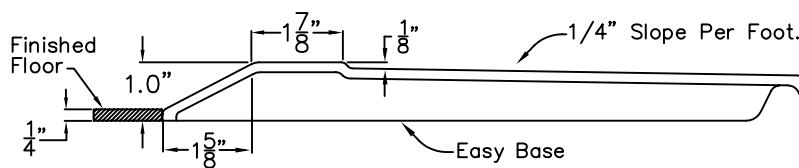
1) Low entry 1.0" Threshold.

- 2) Available Left or Right Hand Drain Location.
- 3) Easy Base self-sustaining bottom.

FRONT VIEW



Detail of 1.0" Threshold



DUE TO THE NATURE OF THE MATERIALS INVOLVED UNIT DIMENSIONS MAY VARY ± 1/2 INCH