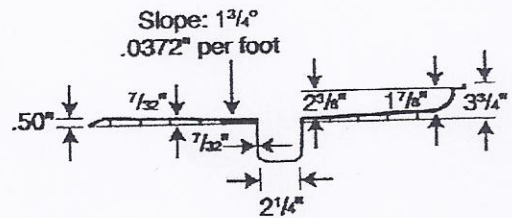
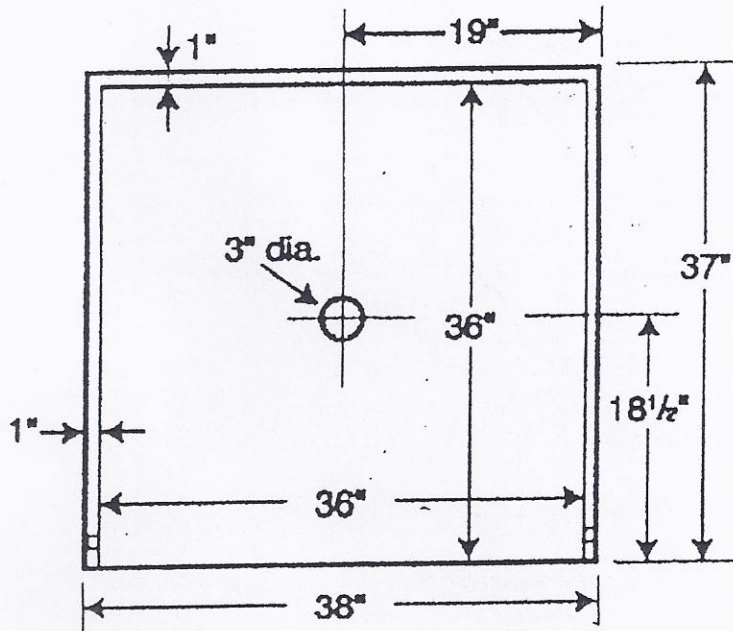


BARRIER-FREE SHOWER PAN

Model AB-3837-BF

The AB-3837 barrier-free shower pan is designed to be used with a BF-FT flexible threshold to provide transfer access to the shower. The pan has a flange on three sides for use with AmeriWall 3-wall shower enclosure and comes with a self-caulking, wedge-lock drain and strainer. The white color of the pan is a very close match to the AmeriWall shower enclosure. The pan is molded from a single piece of durable, stain and fungus resistant composite material and features a non-slip surface that doesn't interfere with the flow of water.



Rough-In Dimensions

38"	37"	19"	18-1/2"
38-3/8"	37-3/16"	19-3/16"	18-9/16"

MAINTENANCE AND CLEANING INFORMATION

Everyday cleaning with liquid cleaners such as Dow or Lysol foaming bubbles, Top Job, Mr. Clean or similar type products with a sponge or Mr. Clean Magic Eraser. To remove hard water stains or mineral build-up, scale removers such as Lime Away, Rust-out or Whink are recommended. Abrasive cleaners are not recommended on shower bases because they are designed with high sheen areas to help prevent soap scum build up. Prolonged scrubbing will dull the surface over time and promote build-up and soap scum. **Do not** use "leave on" cleaning products such as the Automatic Shower Cleaner. Prolonged contact with harsh chemicals could have an adverse reactive over time and discolor your surfaces. **Do not** use cleaning agents that caution use on acrylic, polyester or plastics.

AMERICAN BATH ENTERPRISES, INC.

WWW.Americanbathind.com

Phone: (888) 228-4925