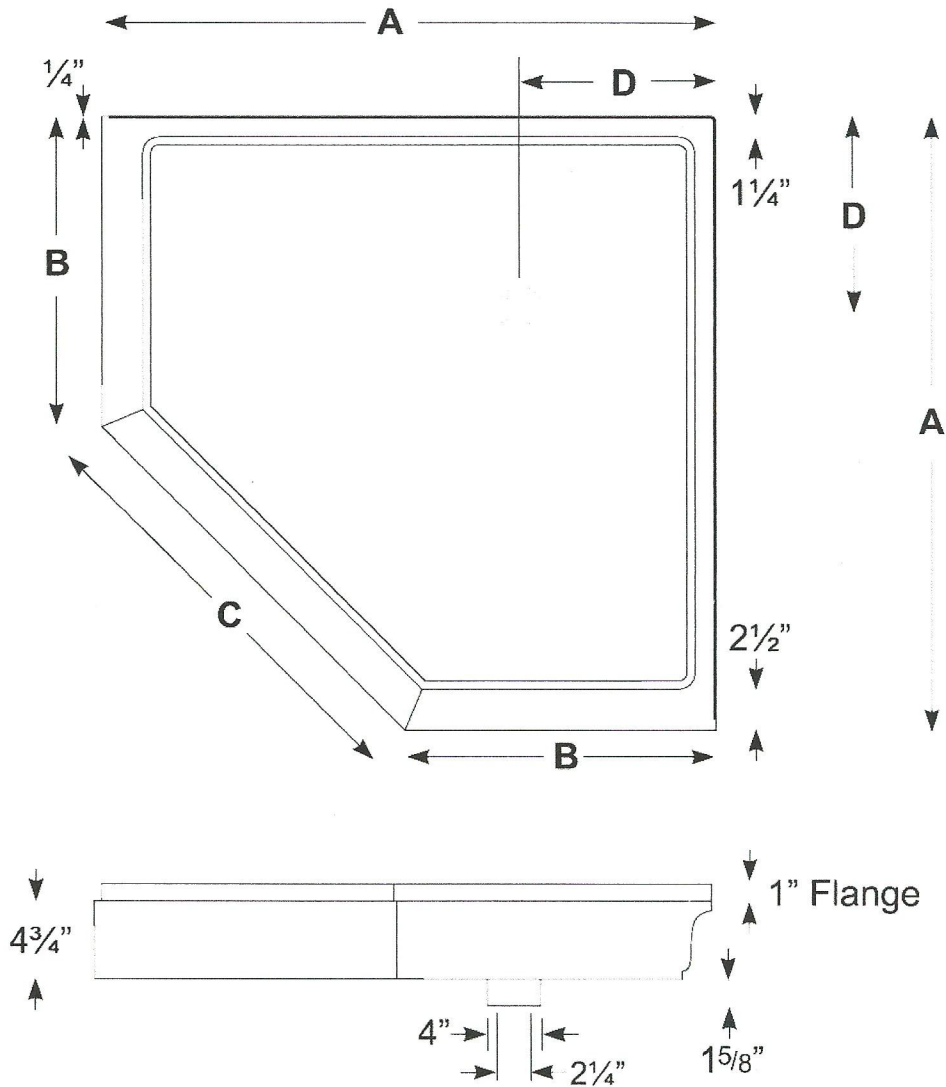


Composite Neo Angle Shower Pans

Neo Angle shower pans have a 1" flange on two sides for *AmeriWall* 2 wall shower enclosure applications and come with a self-caulking, wedge-lock drain and strainer. They are designed for corner installation with center door entry.

The white color of the pans is a very close match to *AmeriWall*. The pans are molded from a single piece of durable, stain and fungus resistant composite material and feature a non-slip surface that doesn't interfere with the flow of water.



MODEL	A	B	C	D
36x36 NEO	36 1/8"	18 3/16"	25 1/8"	12 3/16"
37x37 NEO	37 1/2"	19"	26"	12"
38x38 NEO	38 1/8"	20 3/16"	25 1/8"	12 3/16"

Note: Final height and width dimensions of the delivered product shall be within reasonable tolerances of the quoted height and width dimensions.