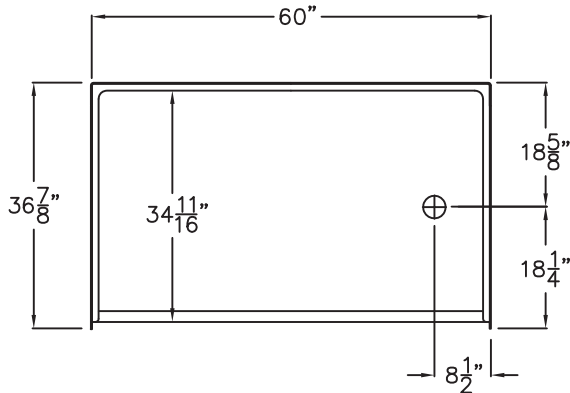
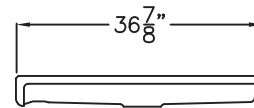


SUBMITTAL DATA

TOP VIEW



SIDE VIEW



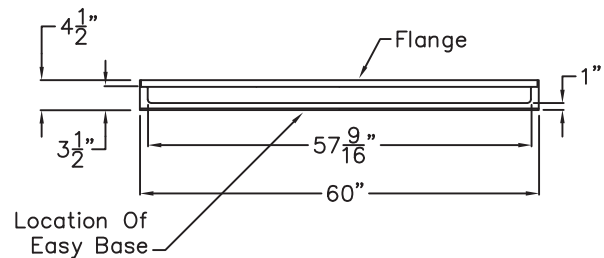
Barrier Free Shower Pan

The shower pan shall be AB-6036 BF PAN 1.0 Left or right drain. Finished surface shall be of a sanitary-grade polyester Gelcoat exhibiting a minimal thickness of 15 dry mils, and a finished cured Barcol hardness of 80-90 as tested with ASTM D-2583. Unit construction shall be of molded reinforced fiberglass with a minimum fiberglass content. The unit shall have outside dimensions of 60" x 36 7/8" x 4 1/2". The one piece pan shall meet ANSI Z124.2, NAHB, UPC, and shall meet the requirements of Southern Building Code.

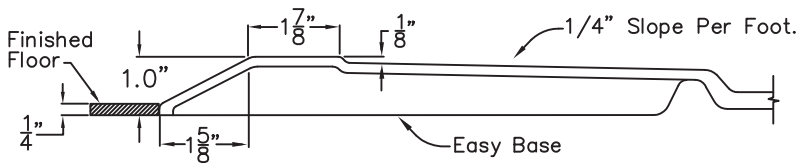
The enclosure shall be equipped with the following installed accessories:

- 1) Low entry threshold 1.0" threshold,
- 2) Left or Right Hand Drain Location,
- 3) Factory installed Easy Base self sustaining bottom.

FRONT VIEW



Detail of 1.0" Threshold



DUE TO THE NATURE OF THE MATERIALS INVOLVED
UNIT DIMENSIONS MAY VARY ± 1/2 INCH